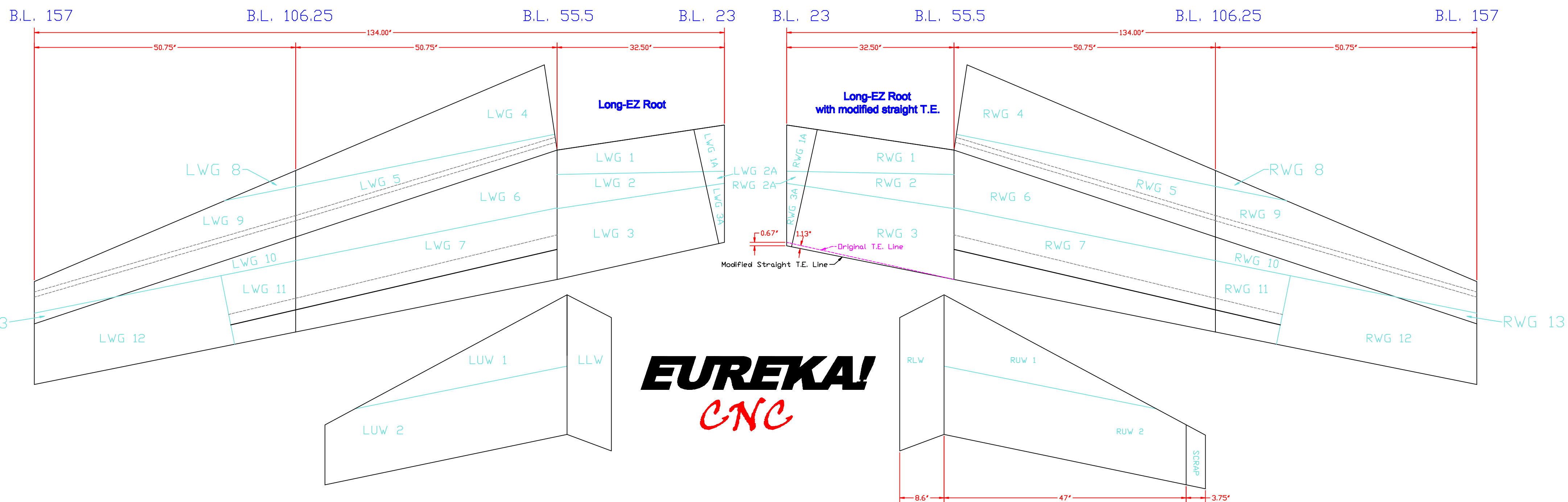
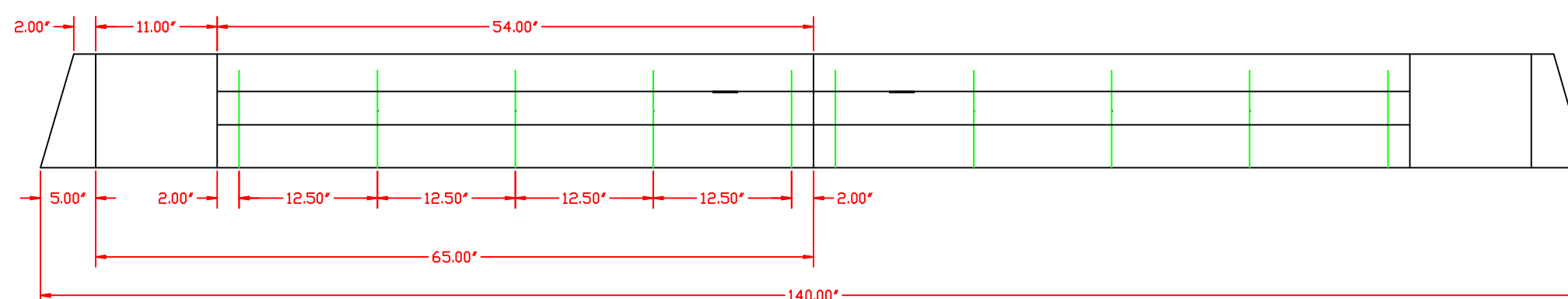


Long-EZ Master Parts Layout

Long-EZ Roncz Canard



EUREKA!
CNC